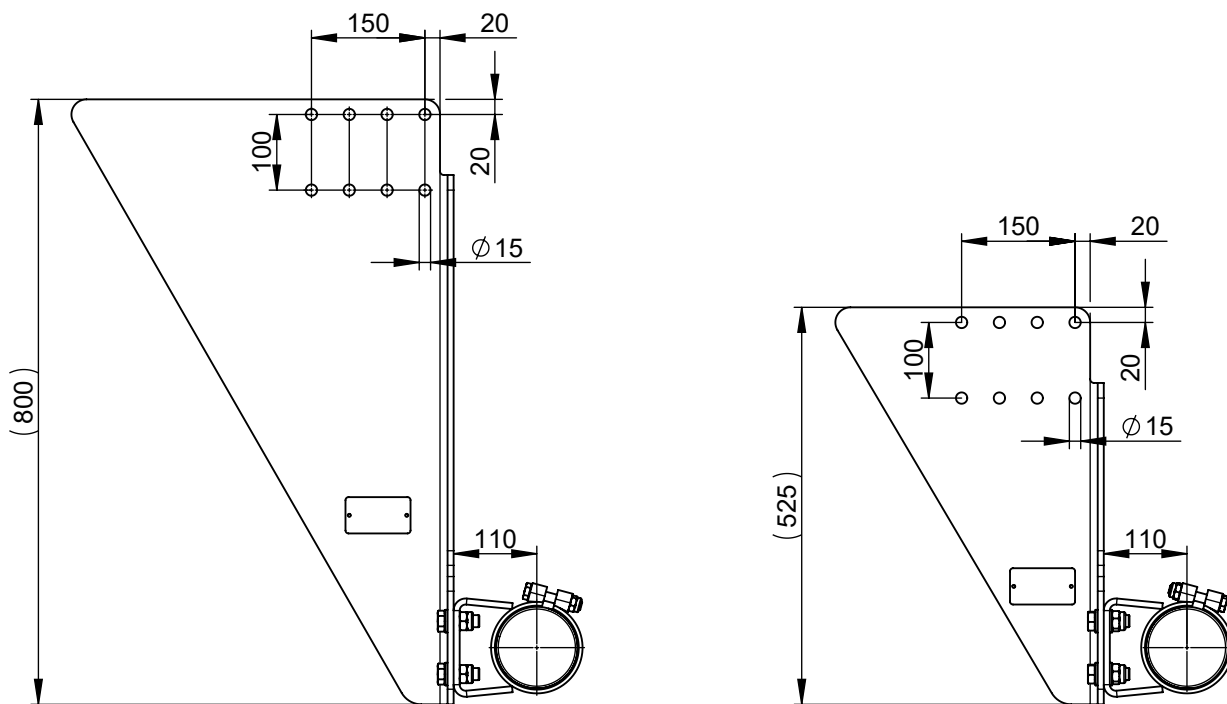


Mounting instruction
Optional mounting plates for WAP underrun protections
WUF100S and SG2012



all dimensions without () are minimum dimensions

For the screw connections between the brackets and vehicle frame or to the provided set-ups which are fixed to the vehicle frame for this purpose, the following screws are used:

- at least 16 x (8 per side) hexagon head screws M14 in the required length, DIN 933, strength class 8.8
- at least 16 x (8 per side) hexagon lock nuts M14, DIN 980, strength class 8

The tightening torque is 125Nm

In addition, the installation guidelines of the vehicle manufacturer must be observed.

Maintenance:

The support plate/vehicle body screw connections must be checked every three months for tightness and be re tightened if necessary.

		Datum	Name
Nummer	Bearb.	13.05.2016	Schneider
MA-179	Prüfer		