

THIRD ANGLE PROJECTION

PROJECT MASTER
BILL OF MATERIALS
(PRODUCTION USE ONLY)

DO NOT SCALE

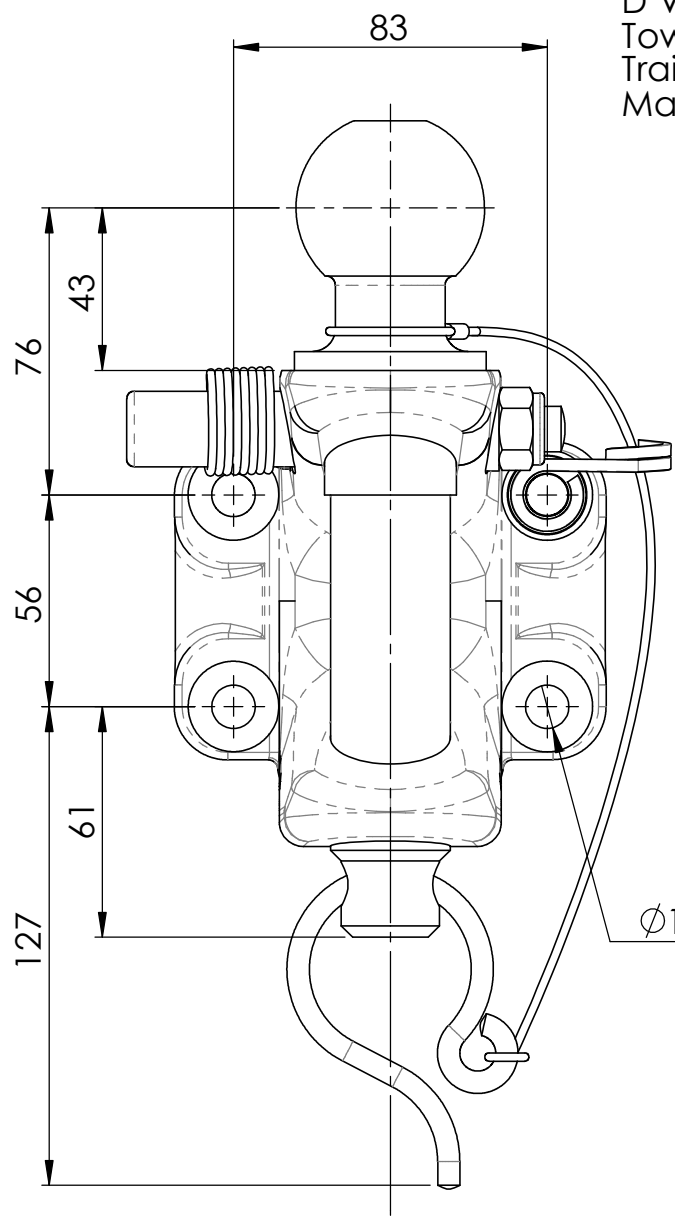
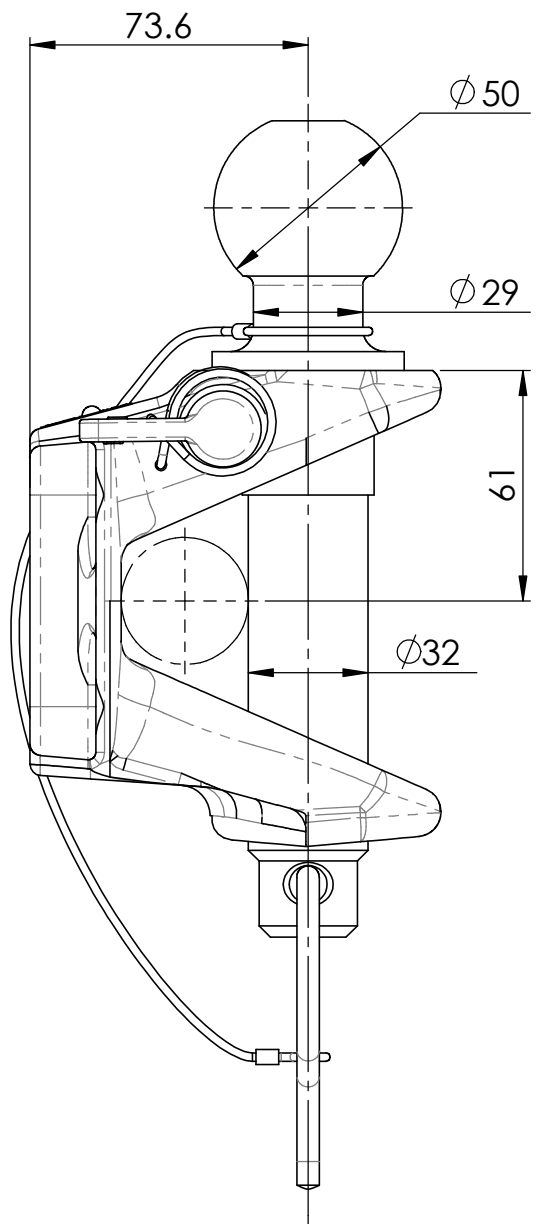
1

2

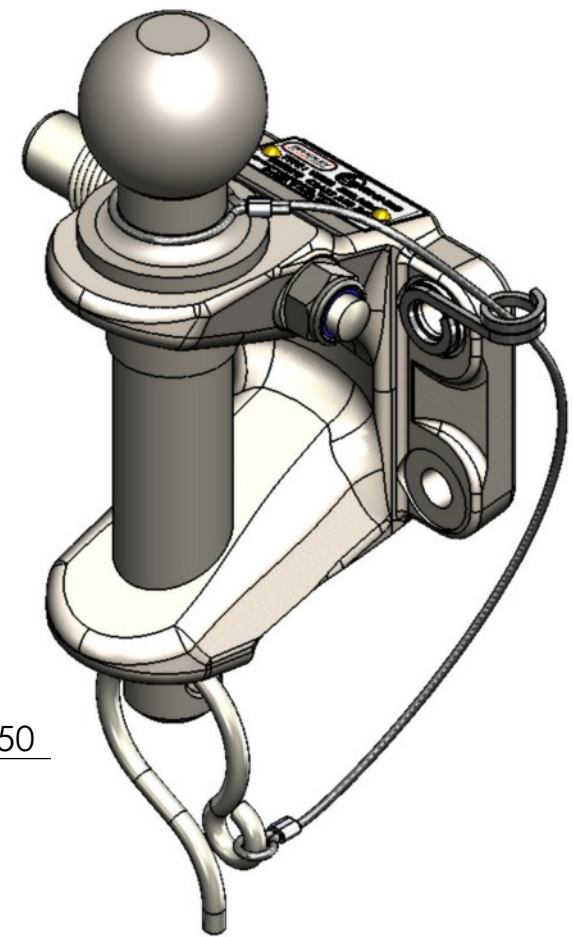
3

4

5 IF IN DOUBT ASK



D Value = 30.95kN
Towing Vehicle = 32000kg
Trailer Max Gross = 3500kg
Max Vertical Nose Load S: = 350kg



A
B
C
D
E



	±	±	±	±	±	±	±	±
		±	±	±	±	±	±	±
	±	±	±	±	±	±	±	±

Part number VDB208356

E11-55R-01-10762

Euro fitting