

WUB751

WUB751/901

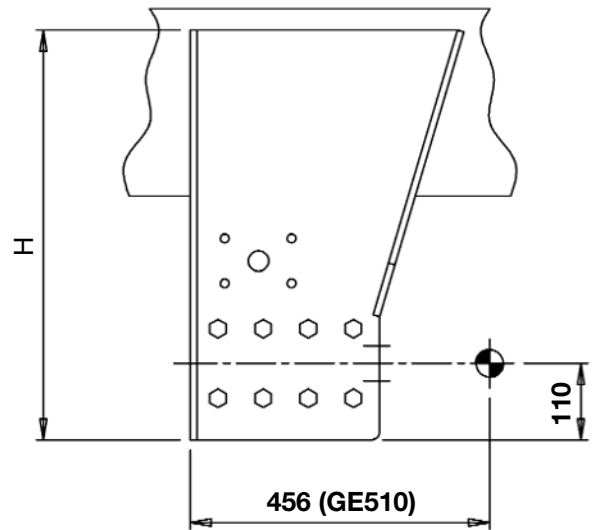
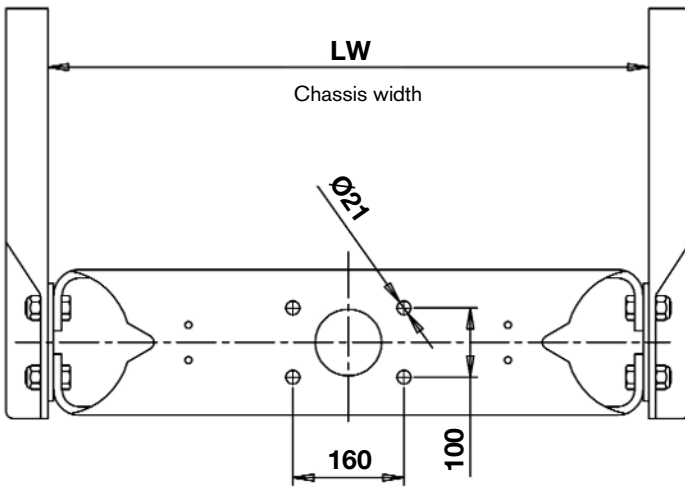
Draw beam assembly's for rigid vehicles

Approved for universal mounting, and for all couplings

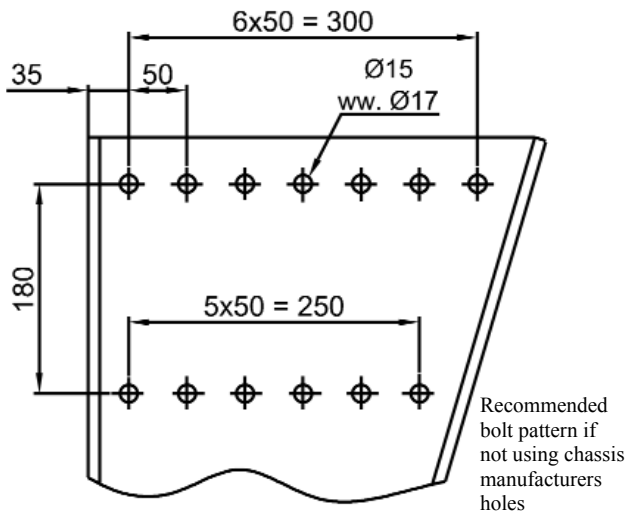
Standard A profile side plates shown, other options available, many in stock

Technical data

Part number	D-Value kN	Dc-Value kN	S-Value kg	V-Value kN	Homologation
WUB751	190	130	1000	75	E4-55R-010671
WUB901	200	140	1000	90	E4-55R-010672



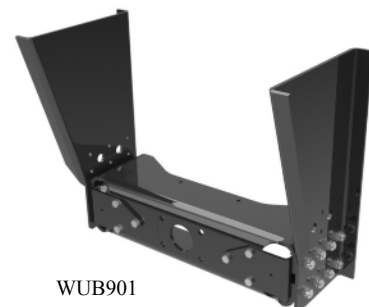
Drop plates can be fitted with straight edge to front or rear



Beam part number	LW (mm)	Suitable for vehicles type
W751770/ W901770	770	IVECO / SCANIA
W751850/ W901850	850	VOLVO / RENAULT
W751802/ W901802	802	RENAULT
W751762/ W901762	762	MERCEDES
W751758/ W901758	758	MAN
W751790/ W901790	790	DAF

Drop plate part number	H (mm)	Lengths 525 - 850mm to order (stock items below)
------------------------	--------	--

W75650/W90650	650	Plain top, drilled bottom
W75750/W90750	750	Plain top, drilled bottom
W207016		Bolt kit for bottom/beam
W166030		Bolt kit for top/chassis
W02		Spacer plates 2mm (pair)
W06		Spacer plates 6mm (pair)
W10		Spacer plates 10mm (pair)



WUB901