



RP10 - S

Ralla su perni - appoggi a saldare
Fifth wheel with pivot bearings - weldable pedestal

2"	Omologazione - Homologation	CRN
-----------	-----------------------------	-----

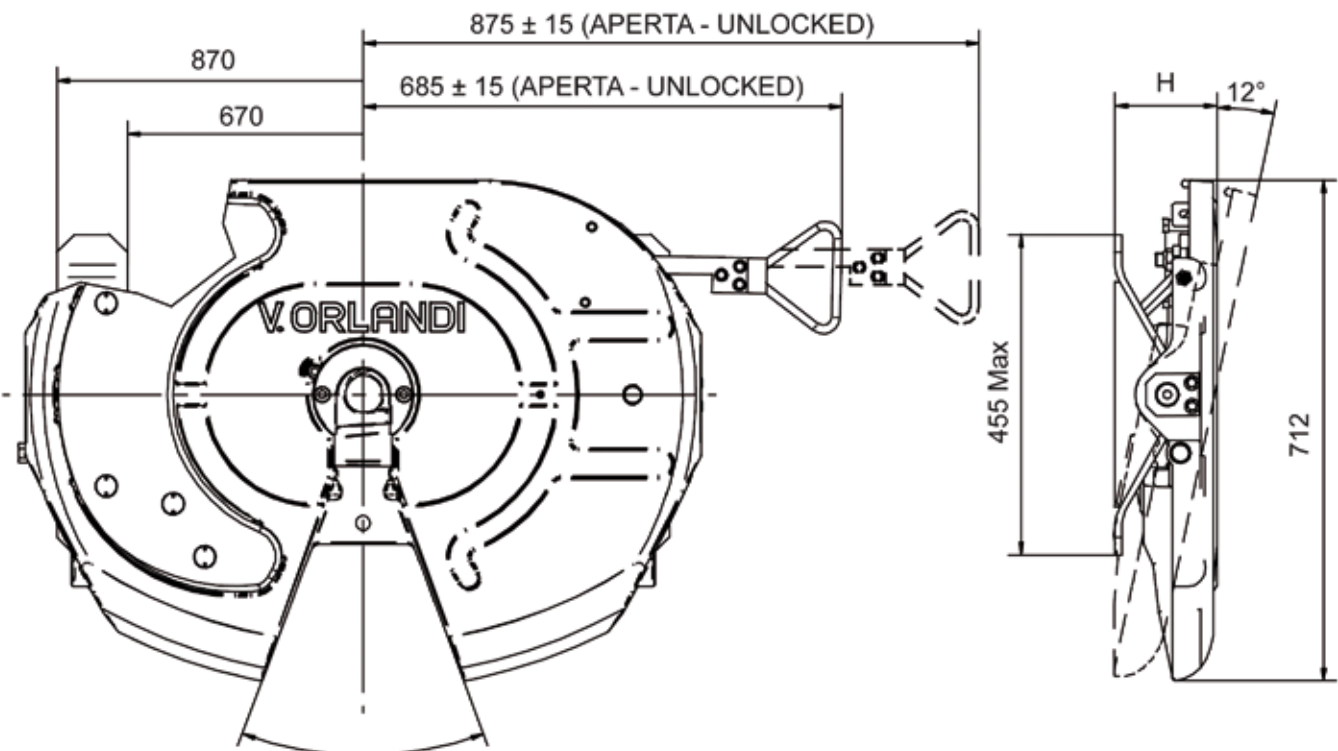
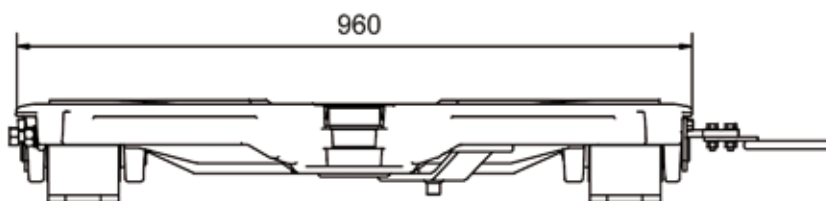
Dati tecnici - Technical data

Codice Part number	Altezza H H-Height mm	Valore D D-Value kN	Carico verticale Imposed load Ton	Peso Weight kg	Omologazione Homologation
					CRN
F2S1 B 10	140	200	20	139	37747
F2S1 B 20	150	200	20	141	37747
F2S1 B 30	185	200	20	143	37747
F2S1 G 10	140	200	20	139	37747
F2S1 G 20	150	200	20	141	37747
F2S1 G 30	185	200	20	143	37747

B = Piatto autolubrificante / Autolube plate
G = Piatto standard / Standard greasing plate

Kit complementari - Complementary kits

RR 00 083	Prolunga leva di apertura Extension for action lever
-----------	---



1990 218 B